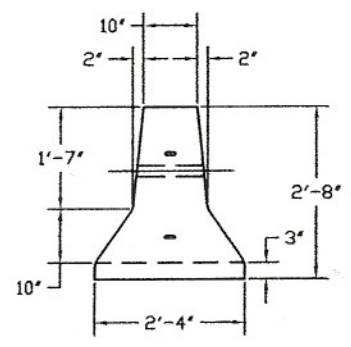


1/2" DIA. GALVANIZED,  
WIRE CENTERED, STEEL CABLE



NOTE:  
1. CONFORMS TO M.D.O.T. BUREAU OF  
HIGHWAY STANDARDS.

## Temporary Concrete Barrier (10' long)

SIZE A	DATE 5/12/04	DWG NO. 001	REV
DRAWN BY: S. GARABEDIAN		SHEET 1 of 1	