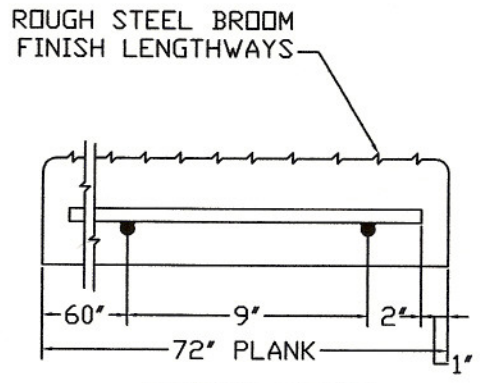
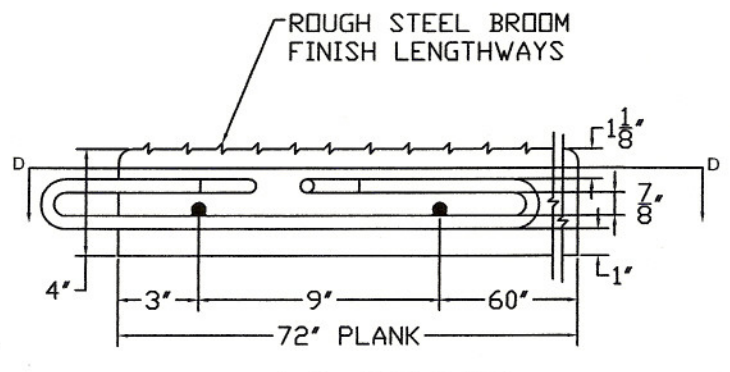


SECTION A-A (4X)
12" WIDE PLANK

SECTION D-D (4X)
72" WIDE PLANK



SECTION E-E (4X)



SECTION G-G (4X)

Bush
CONCRETE PRODUCTS, INC.

3584 Airline Road
Muskegon, Michigan 49444

1' & 6' Wide Boat Launch Plank		SIZE	DATE	DWG NO.	REV
		A	12/27/03	003	
DRAWN BY: S. GARABEDIAN				SHEET 3 of 3	