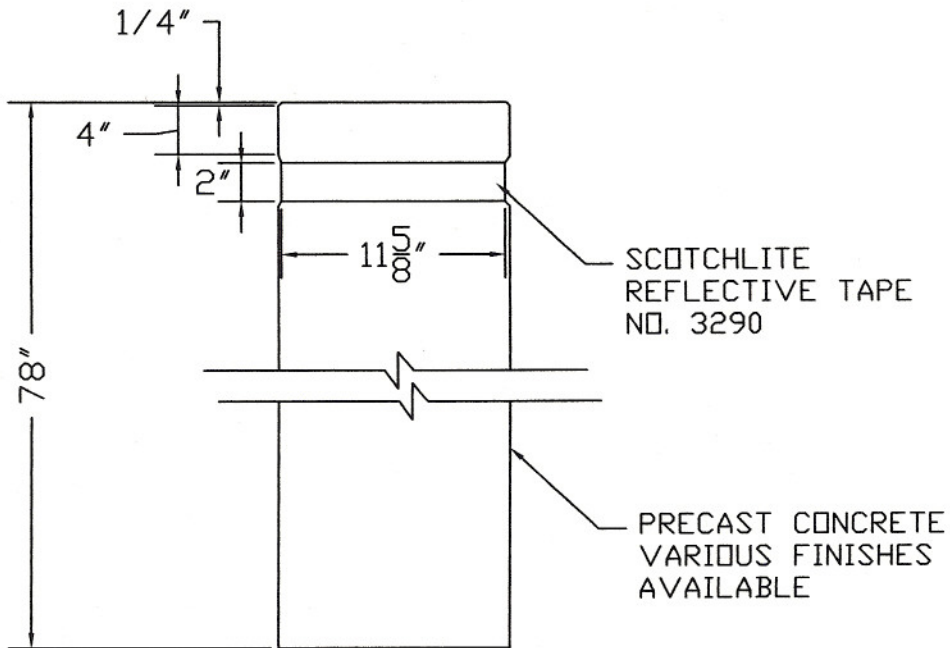


TOP VIEW



SECTION A-A



CONCRETE PRODUCTS, INC.

3584 Airline Road
Muskegon Michigan 49444
(231) 733-1904

12RSMN Bollard

SIZE	DATE	DWG NO.	REV
A	12/25/05	003	
DRAWN BY: S. GARABEDIAN			SHEET 1 of 1