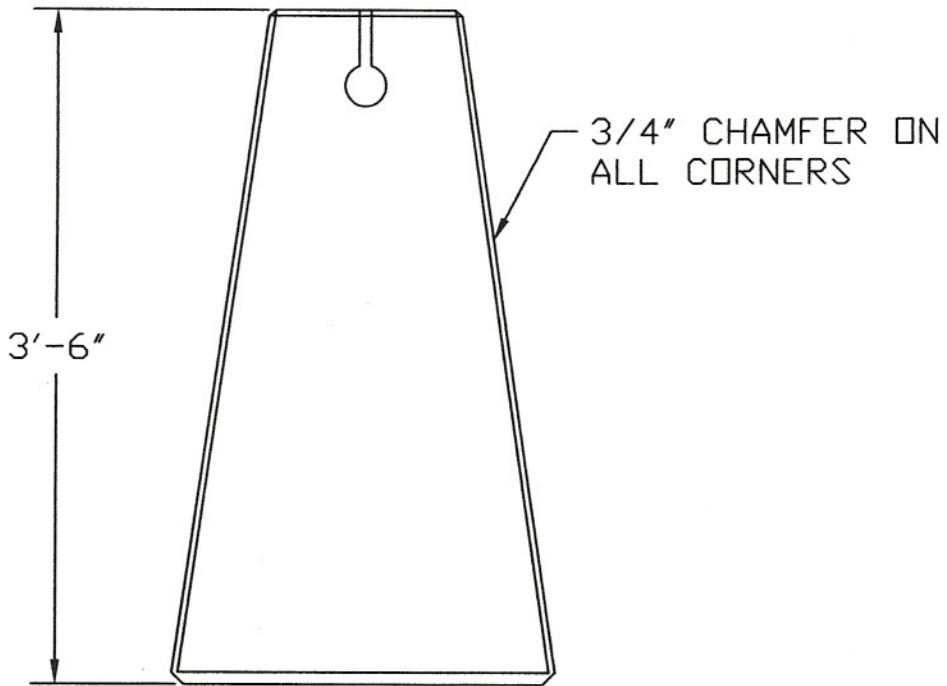


TOP VIEW



SIDE VIEW



3584 Airline Road  
Muskegon Michigan 49444  
(231) 733-1904

**PLS42 Concrete Bollard**

SIZE	DATE	DWG. NO.	REV
A	5/19/04	007	
DRAWN BY: S. GARABEDIAN		SHEET 1 of 1	