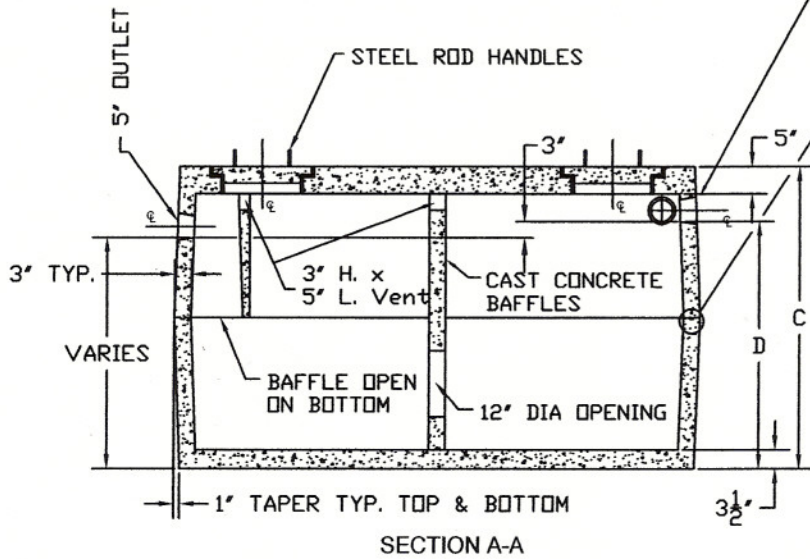


ALTERNATE INLETS Ø5' - USE ONE OF THREE KNOCKOUTS

TONGUE & GROOVE JOINT WITH POLYPROPYLENE BASED SEALER



NOTES:

1. EXCAVATION MUST BE AT LEAST 12" WIDER & LONGER THAN TANK SIZE.
2. REINFORCED WITH 12.5 GA. 4" X 4" GALVANIZED WIRE & 3/8" RE-ROD.

LIQUID GALS.	A	B	C	D
	WIDTH	LENGTH	HEIGHT	INVERT
1000	62"	96"	66"	55"
1250	62"	96"	76"	65"



3584 Airline Road
Muskegon Michigan 49444
(231) 733-1904

1000-1250 Gal. 2 Compartment
Grease Trap Precast Concrete

SIZE	DATE	DWG NO.	
A	12/02/03	001	
DRAWN BY: S. GARABEDIAN			SHEET 1 of 1