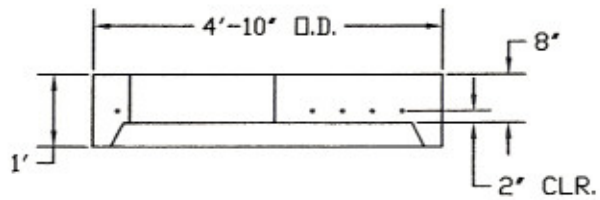
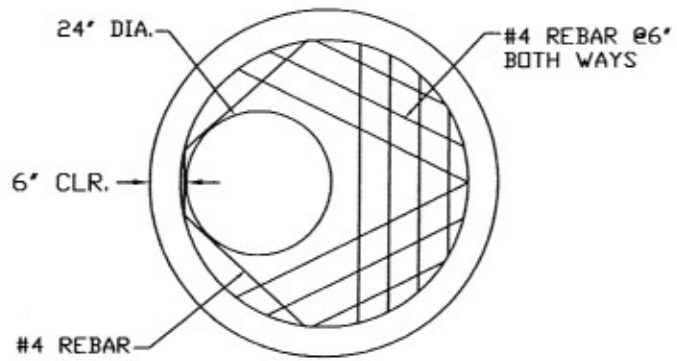
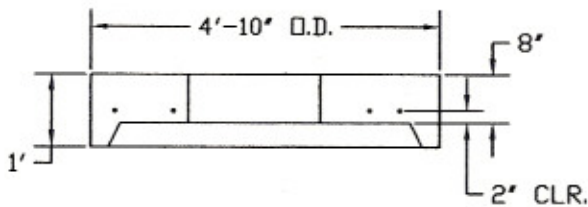
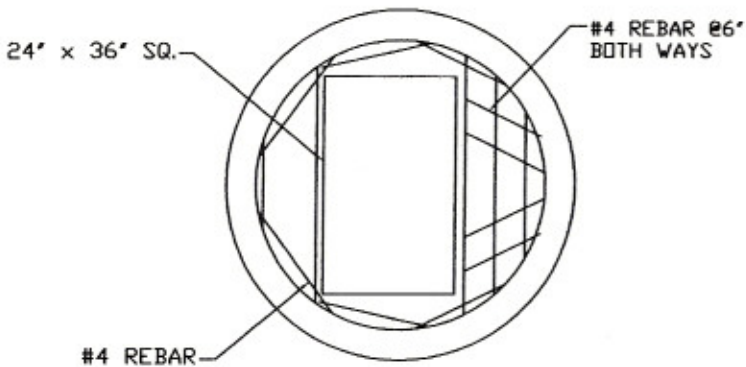


48" DIA. MANHOLE FLAT TOP



48" DIA. MANHOLE FLAT TOP WITH RECTANGLE OPENING



CONFORMS TO ASTM C-478

Bush
CONCRETE PRODUCTS, INC.
 3584 Airline Road
 Muskegon Michigan 49444
 (231) 733-1904

48" Manhole Flat Top

SIZE A	DATE 4/3/04	DWG NO. 002	REV
DRAWN BY: S. GARABEDIAN		SHEET	1 of 1