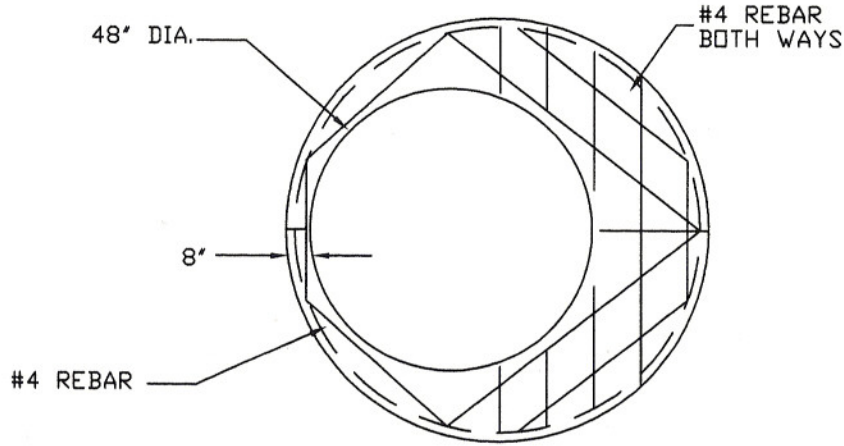
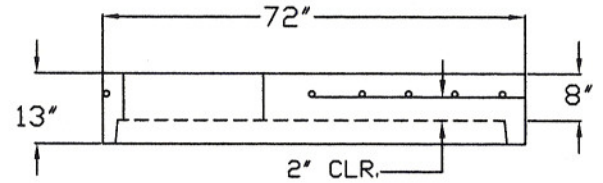
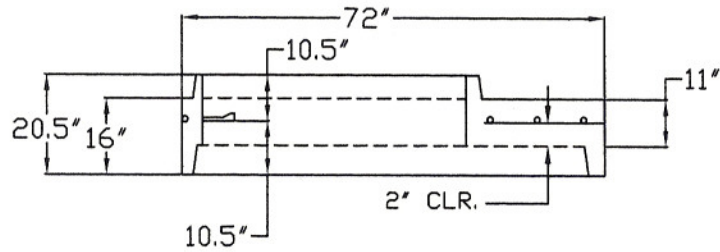
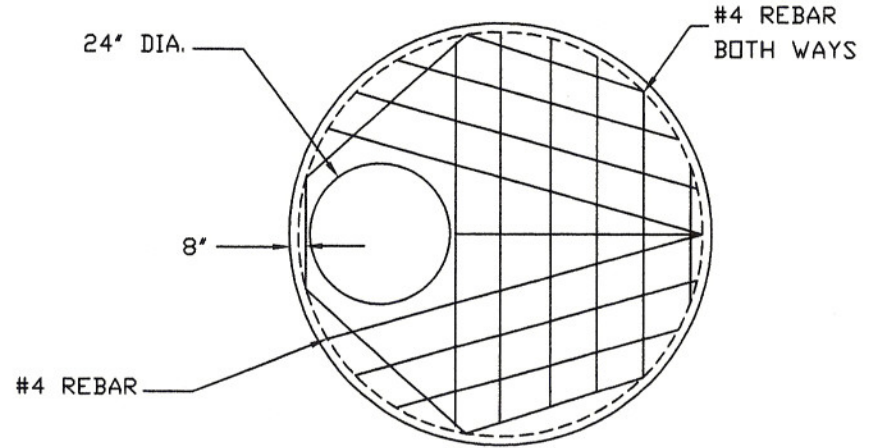


60" DIA. MANHOLE REDUCING COVER



60" DIA. MANHOLE FLAT TOP



CONFORMS TO ASTM C478



3584 Airline Road
Muskegon Michigan 49444
(231) 733-1904

60" MANHOLE
FLAT TOP

SIZE A	FSCM NO. 01/22/07	DWG NO. 016	REV A
SHEET			1 OF 1