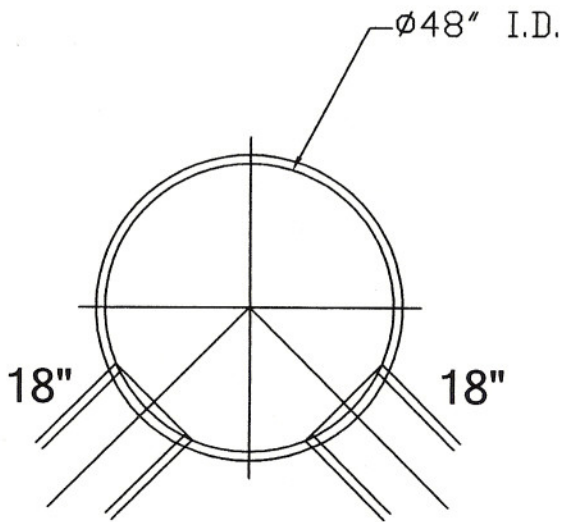


**MAXIMUM PIPE
SIZE FOR STRAIGHT
THRU INSTALLATION**



**MAXIMUM PIPE
SIZE FOR RIGHT
ANGLE INSTALLATION**

NOTES:

1. ALL DIMENSIONS ARE FOR CONCRETE PIPE.
2. ALL MANHOLES CONFORM TO ASTM C-478.
3. 6" MINIMUM SPACING BETWEEN OPENINGS.



3584 Airline Road
Muskegon Michigan 49444
(231) 733-1904

**MAXIMUM PIPE SIZES
PER MANHOLE DIA.**

SIZE	DATE	DWG NO.	REV
A	4/3/04	001	
DRAWN BY: S. GARABEDIAN			SHEET 1 of 1