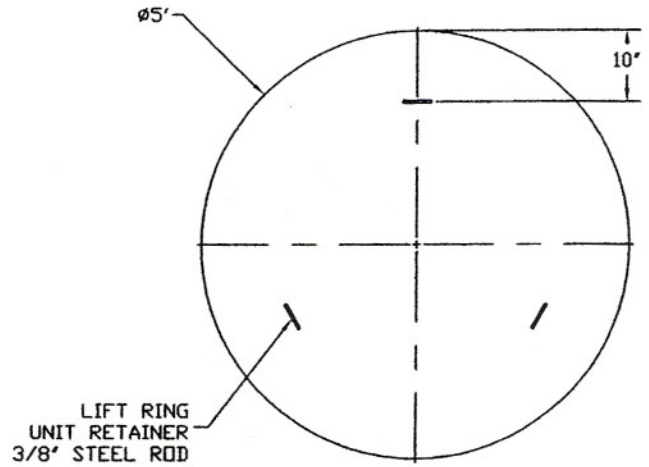
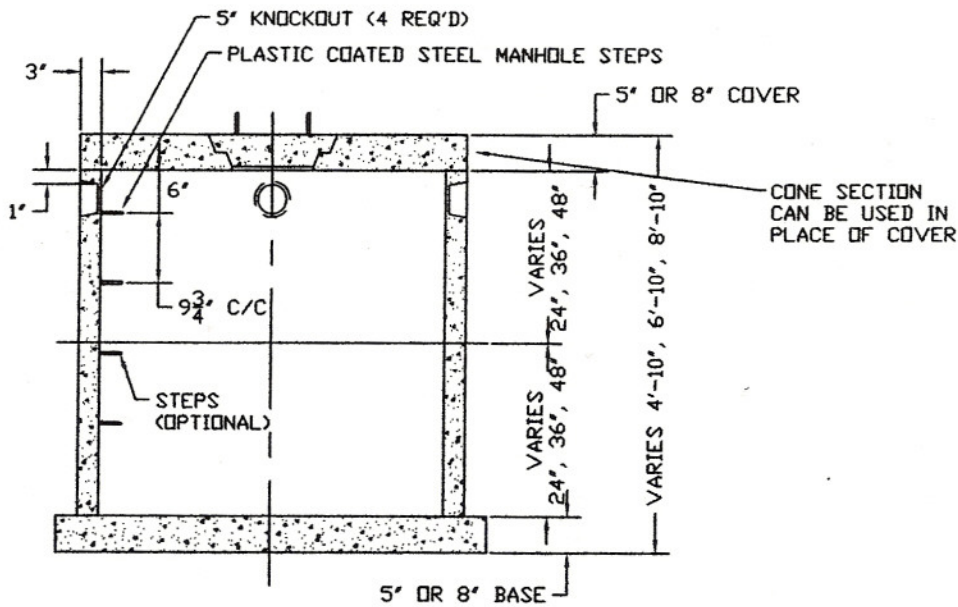


TOP VIEW



TOP VIEW OF BASE



SECTION A-A

NOTES:

1. MAT'L: AIR ENTRAINED REINFORCED CONCRETE.
2. TOP AND BASE REINFORCED W/ 3/8" STEEL RODS.
3. 94 GAL. CAPACITY PER VERTICAL FOOT.
4. SUPPLIED IN 2'-0", 3'-0", 4'-0" HIGH SECTIONS.
5. SECTIONS REINFORCED W/ WW MESH.
6. CATCH BASIN SECTIONS 4'-6" O.D. & 4'-0" I.D.

Bush
CONCRETE PRODUCTS, INC.
 3584 Airline Rd * Muskegon, MI * (231) 733-1904

4ft Catch Basin

SIZE A	DATE 11/24/03	DWG NO. 002	REV
DRAWN BY: S. GARABEDIAN		SHEET 1 of 1	