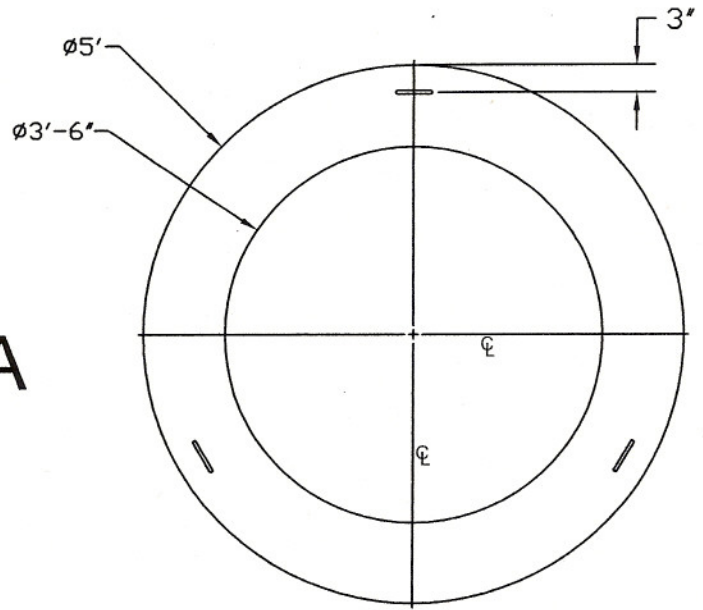
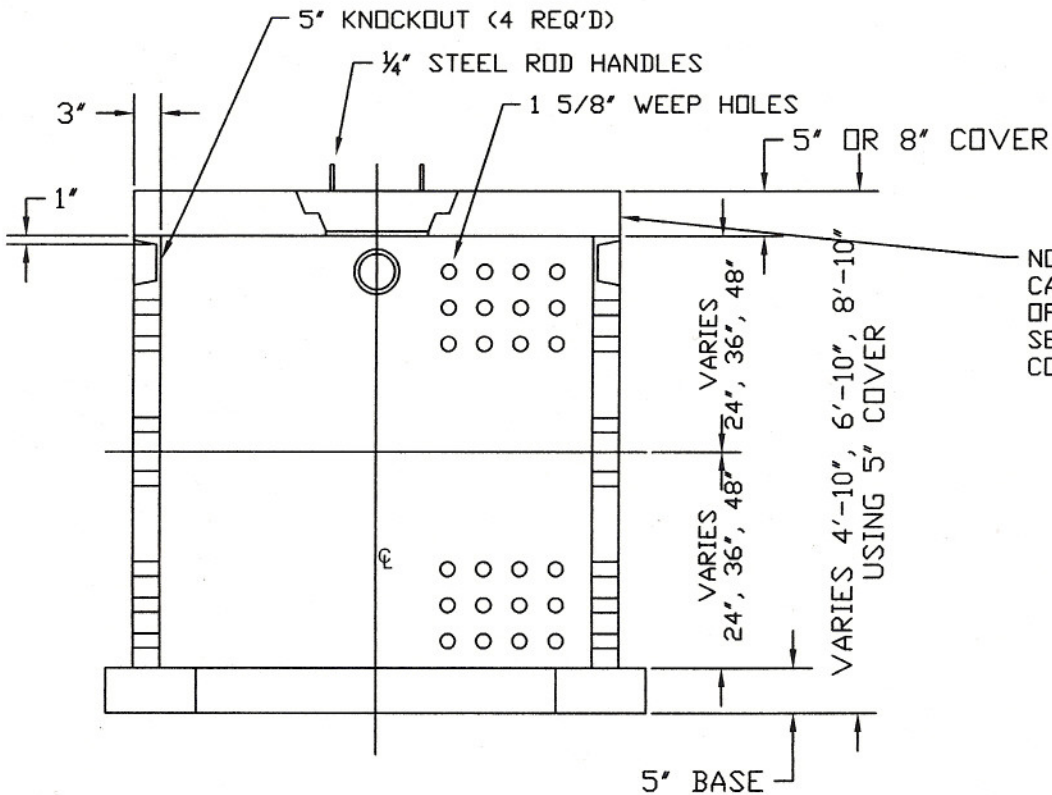


TOP VIEW



TOP VIEW OF BASE



SECTION A-A

NOTE: CONE SECTIONS CAN BE USED IN PLACE OF COVER. SEE DWG. #7. SEE DETAIL OF ECCENTRIC CONE ON DWG. #8.

Bush
CONCRETE PRODUCTS, INC.
 3584 Airline Road
 Muskegon Michigan 49444
 (231) 733-1904

4ft. Diameter Dry Well

SIZE A	DATE 4/3/04	DWG NO. 004	REV
DRAWN BY: S. GARABEDIAN			SHEET 1 of 1