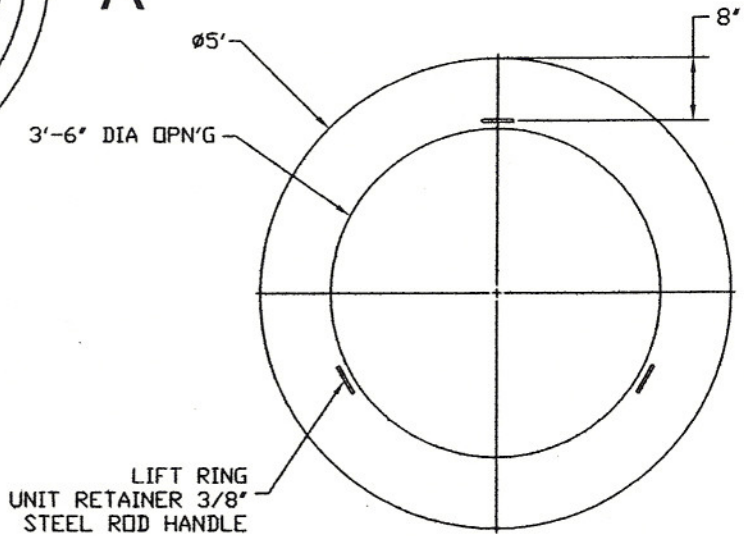
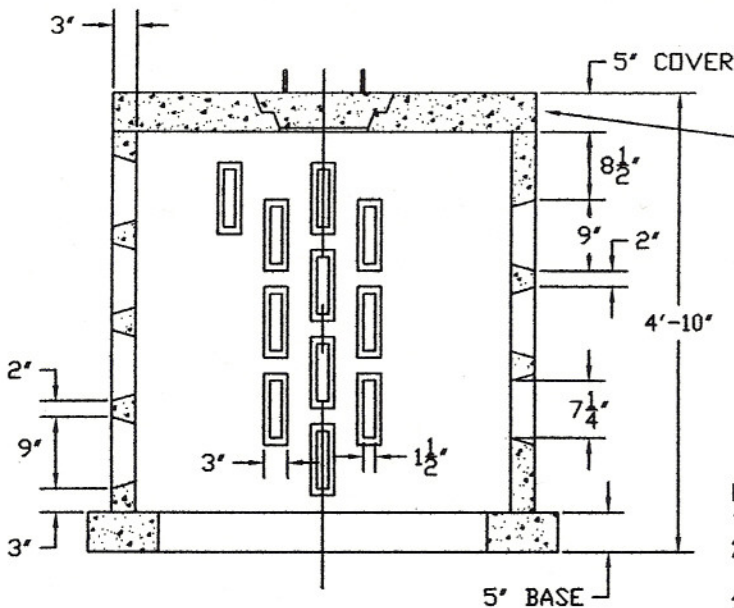


TOP VIEW



TOP VIEW OF BASE



SECTION AA

NOTES:

1. MAT'L: PRECAST CONCRETE
2. TOP AND BASE REINFORCED W/ 3/8" STEEL RODS.
3. 94 GAL. CAPACITY PER VERTICAL FOOT.
4. SUPPLIED IN 4'-0" HIGH SECTIONS.
5. SECTIONS REINFORCED W/ 3/8" REROD.
6. DRYWELL SECTIONS 4'-6" O.D. & 4'-0" I.D.
7. 84- 1 1/2 x 7 1/4 HOLES.

Bush
CONCRETE PRODUCTS, INC.
 3584 Airline Rd * Muskegon, MI * (231) 733-1904

<h2 style="margin: 0;">4ft Petroleum Recovery Drywell</h2>			
SIZE A	DATE 11/24/03	DWG NO. 005	REV
DRAWN BY: S. GARABEDIAN			SHEET 1 of 1