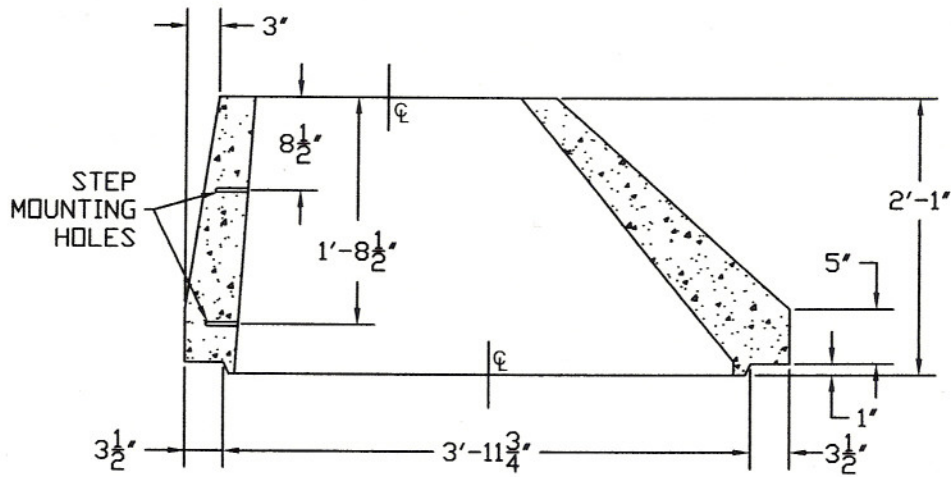


TOP VIEW



SECTION A-A

NOTES:

1. MAT'L: PRECAST CONCRETE REINFORCED WITH WIRE MESH.
2. DESIGNED FOR ALTERNATE USES WITH 4' DRYWELL, 4' CATCH BASIN OR 4' PETROLEUM RECOVERY UNITS. ALSO USED WITH CONVERSION RING ON TOP OF 6' DRYWELL AND/OR CATCH BASINS.



Eccentric Precast
Cone Section

| | | | |
|-------------------------|------------------|----------------|--------------|
| SIZE A | DATE 11/24/03 | DWG NO. 008 | REV |
| DRAWN BY: S. GARABEDIAN | | | SHEET 1 of 1 |