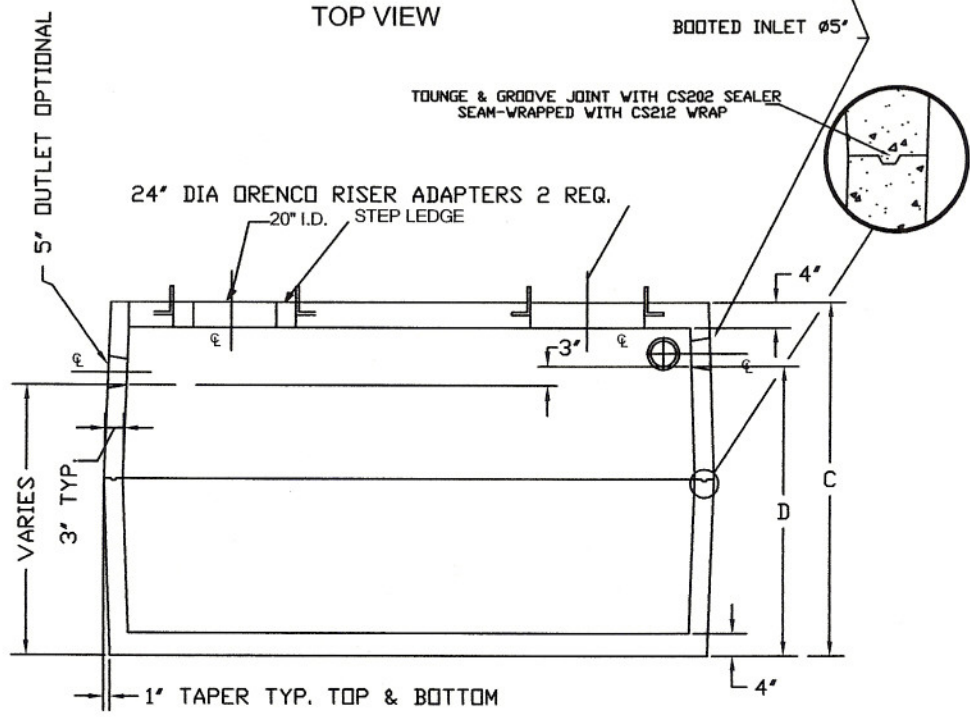


TOP VIEW



SECTION A-A

- NOTES:
- EXCAVATION MUST BE AT LEAST 12" WIDER & LONGER THAN TANK SIZE.
 - REINFORCED WITH 12.5 GA. 4" X 4" GALVANIZED WIRE & 3/8" RE-ROD.

| LIQUID GALS. | A | B | C | D |
|--------------|-------|--------|--------|--------|
| | WIDTH | LENGTH | HEIGHT | INVERT |
| 1250 | 62" | 96" | 76" | 65" |

Bush
CONCRETE PRODUCTS, INC.
 3584 Airline Road
 Muskegon Michigan 49444
 (231) 733-1904

**1250 Gal.
 Advantex Tank**

| | | | |
|----------------------|----------|--------------|--|
| SIZE | DATE | DWG NO. | |
| A | 11/30/05 | 01 | |
| DRAWN BY: BRYON BUSH | | SHEET 1 of 1 | |