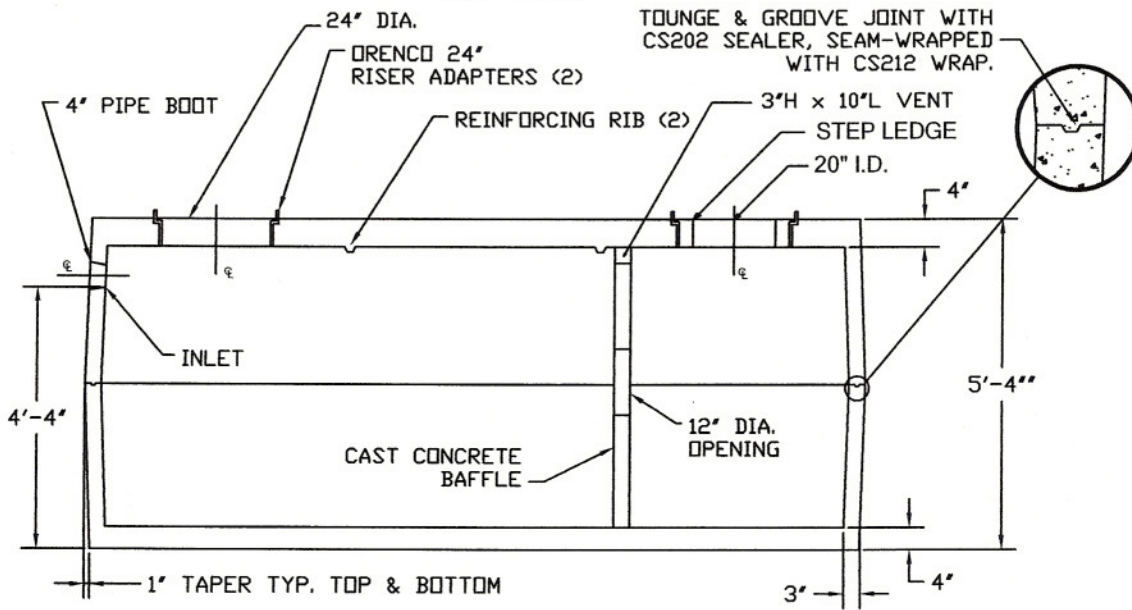


TOP VIEW



SECTION A-A

NOTES:

1. EXCAVATION MUST BE AT LEAST 12" WIDER & LONGER THAN TANK SIZE.
2. REINFORCED WITH 12.5 GA. 4" X 4" GALVANIZED WIRE & 1/2" RE-ROD.



3584 Airline Road  
Muskegon, Michigan 49444

ADVANTEK 1800 GAL  
2 COMP.

SIZE	DATE	DWG NO.	REV
A	11/30/05		
DRAWN BY: B. BUSH			SHEET 1 of 1