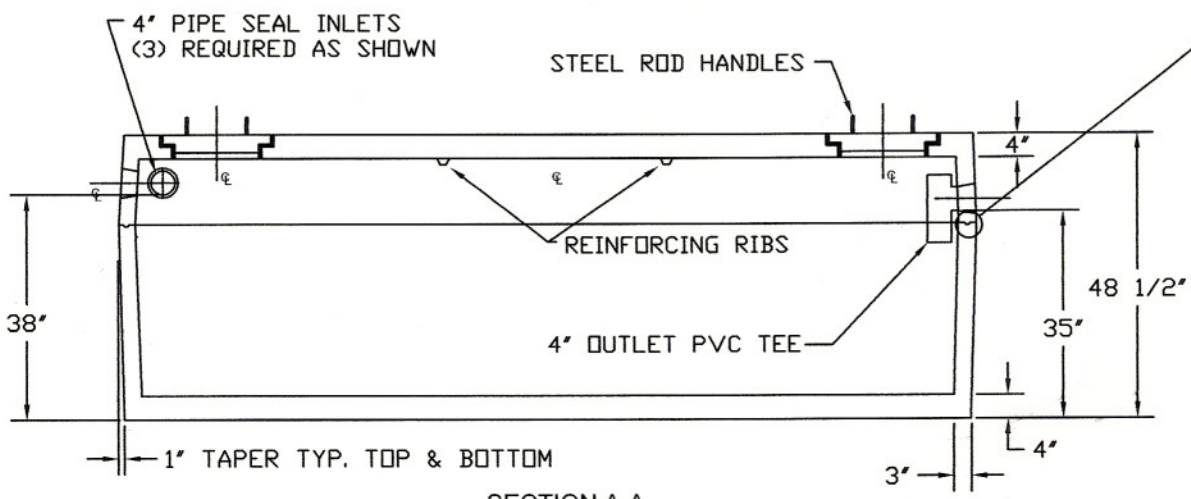


TOP VIEW



NOTES:

- EXCAVATION MUST BE AT LEAST 12" WIDER & LONGER THAN TANK SIZE.
- REINFORCED WITH 12.5 GA. GALVANIZED WIRE & 1/2" RE-ROD.



3584 Airline Road  
Muskegon Michigan 49444  
(231) 733-1904

# Shallow 1250 gal. Septic Tank

SIZE A	DATE 12/02/05	DWG NO. 012	REV
DRAWN BY: B. BUSH		SHEET 1 of 2	