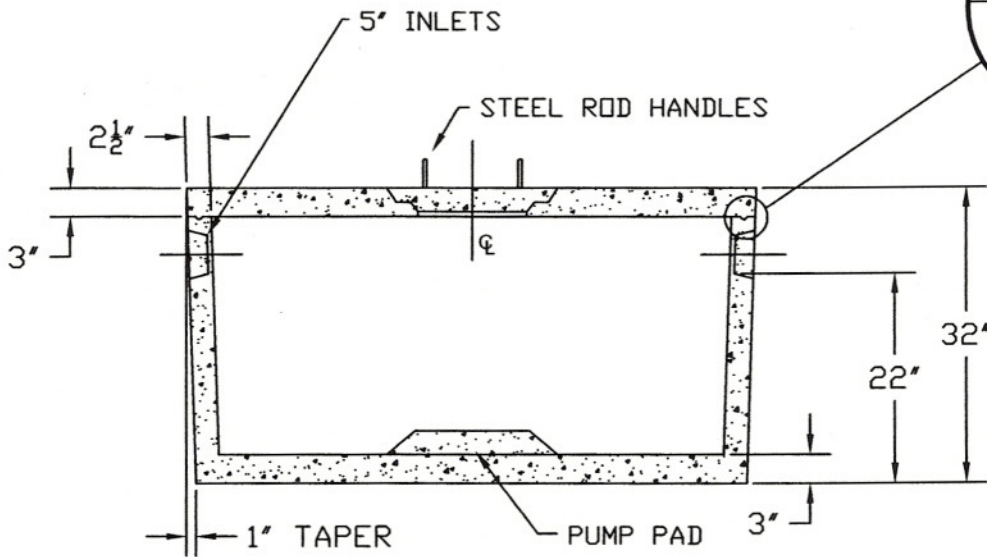


TONGUE & GROOVE JOINT WITH
POLYPROPYLENE BASED SEALER

TOP VIEW



SECTION A-A

- NOTES:
1. CAPACITY: 185 GALLONS.
 2. REINFORCED WITH 4" x 4" 12 GAGE WW MESH.

Bush
CONCRETE PRODUCTS, INC.

3584 Airline Rd * Muskegon, MI * (231) 733-1904

185 gal/ Pump Chamber

SIZE A	DATE 12/28/05	DWG NO. 001	REV
DRAWN BY: S. GARABEDIAN			SHEET 1 of 1