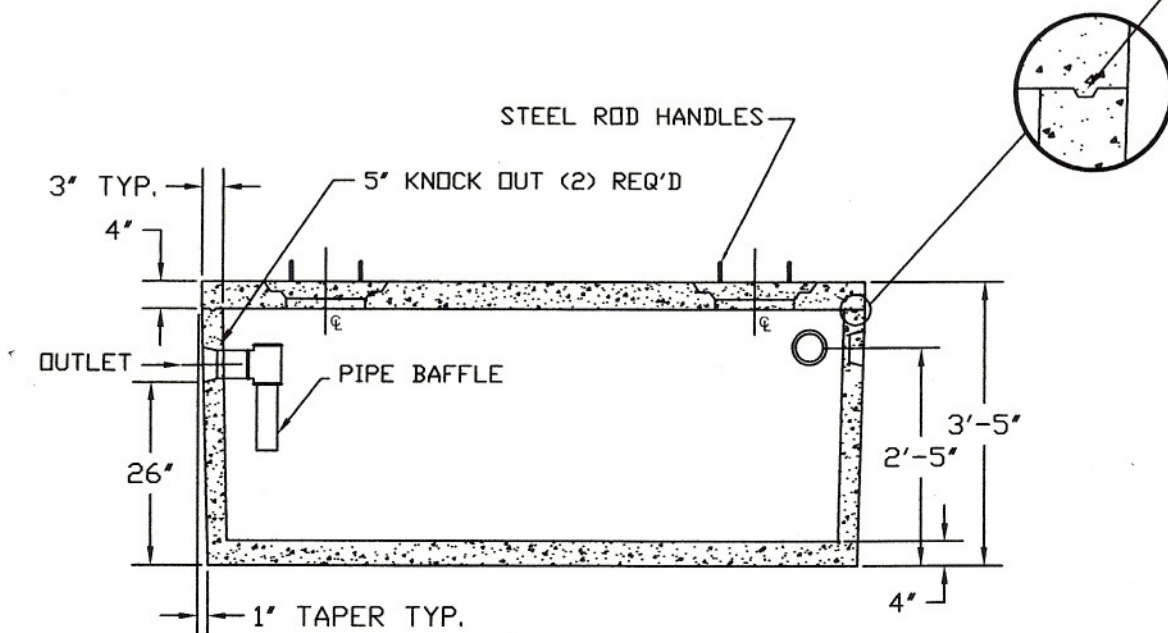


TOP VIEW

TONGUE & GROOVE JOINT WITH POLYPROPYLENE BASED SEALER



SECTION A-A

NOTES:

1. CAPACITY: 500 GALLONS.
2. REINFORCED WITH 4" x 4" 12.5 GAGE GALVANIZED WIRE & 3/8" RE-ROD.
3. EXCAVATION MUST BE AT LEAST 12" WIDER & LONGER THAN TANK SIZE.



3584 Airline Rd \* Muskegon, MI \* (231) 733-1904

500gal. Septic Tank  
Precast Concrete

|                         |                 |                |     |
|-------------------------|-----------------|----------------|-----|
| SIZE<br>A               | DATE<br>4/22/04 | DWG NO.<br>003 | REV |
| DRAWN BY: S. GARABEDIAN |                 | SHEET 1 of 1   |     |