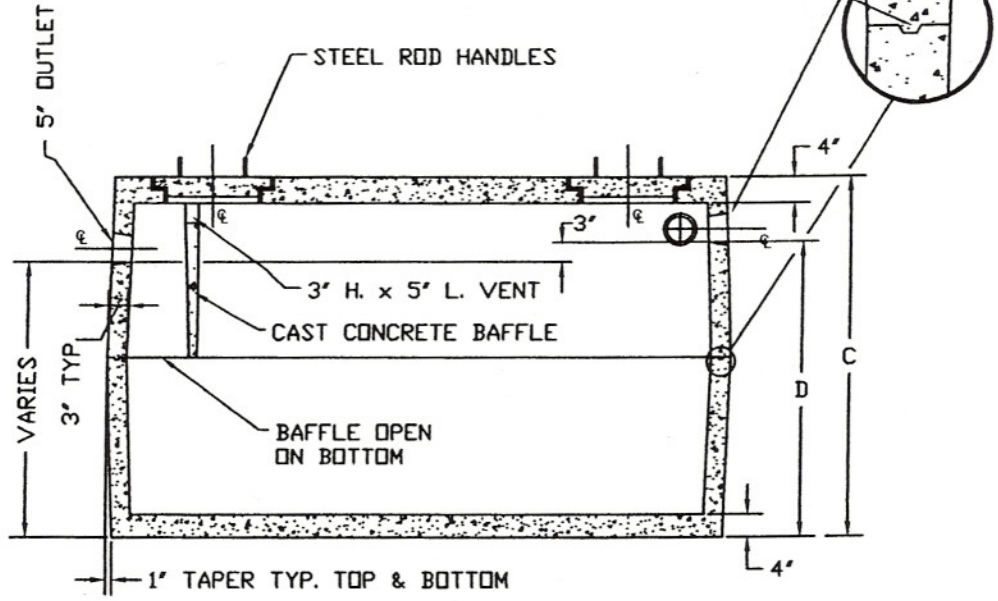


TOP VIEW

ALTERNATE INLETS #5" - USE ONE OF THREE KNOCKOUTS

TONGUE & GROOVE JOINT WITH POLYPROPYLENE BASED SEALER



SECTION A-A

NOTES:

1. EXCAVATION MUST BE AT LEAST 12" WIDER & LONGER THAN TANK SIZE.
2. REINFORCED WITH 12.5 GA. 4" X 4" GALVANIZED WIRE & 3/8" RE-ROD.

LIQUID GALS.	A	B	C	D
	WIDTH	LENGTH	HEIGHT	INVERT
800	62"	96"	55"	45"
1000	62"	96"	65"	55"
1250	62"	96"	75"	65"

  
**Bush**  
**CONCRETE PRODUCTS, INC.**  
 3584 Airline Rd \* Muskegon, MI \* (231) 733-1904

**800-1250 gal. Septic Tank**  
**Precast Concrete**

SIZE <b>A</b>	DATE <b>12/10/03</b>	DWG NO. <b>005</b>	REV
DRAWN BY: <b>S. GARABEDIAN</b>		SHEET <b>1 of 1</b>	