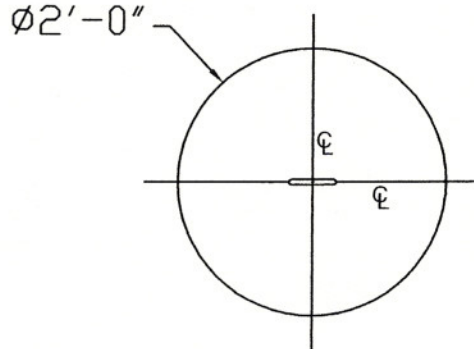
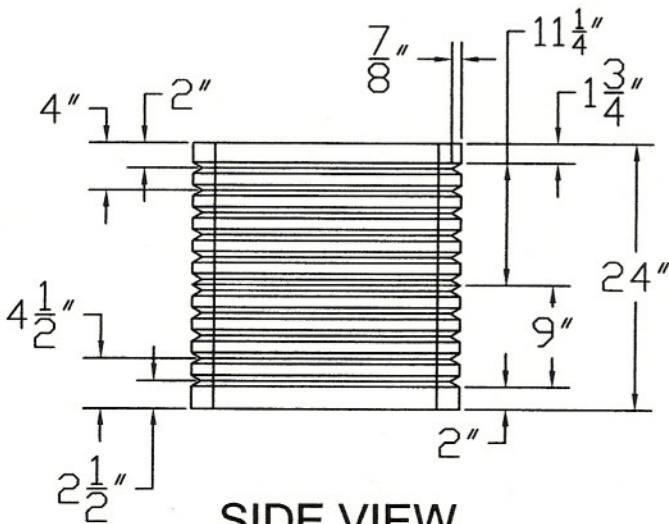


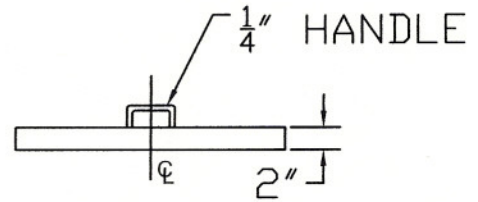
TOP VIEW



TOP VIEW OF COVER



SIDE VIEW



SIDE VIEW OF COVER

NOTES:

- 1) MAT'L: PRECAST CONCRETE.
- 2) RISER IS NOT REINFORCED TO PERMIT CUTTING TO SIZE.
3. RISER CAN BE CUT IN 1" OR 1 1/2" INCREMENTS.



3584 Airline Rd * Muskegon, MI * (231) 733-1904

24" Riser Section

SIZE A	DATE 4/20/04	DWG NO. 011	REV
DRAWN BY: S. GARABEDIAN		SHEET 1 of 1	