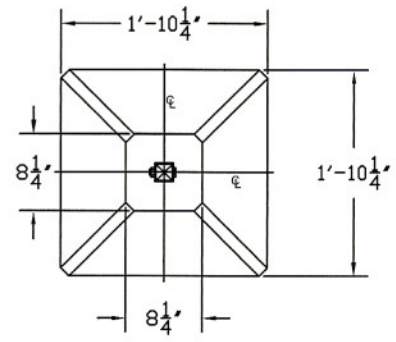



SIDE VIEW



TOP VIEW OF BASE

- NOTES:
 1. MAT'L: AIR ENTRAINED REINFORCED CONCRETE.

 3584 Airline Road Muskegon Michigan 49444 (231) 733-1904		PLSC Sign Base	
		SIZE A	DATE
DRAWN BY: BRYON BUSH		SHEET 1 OF 1	