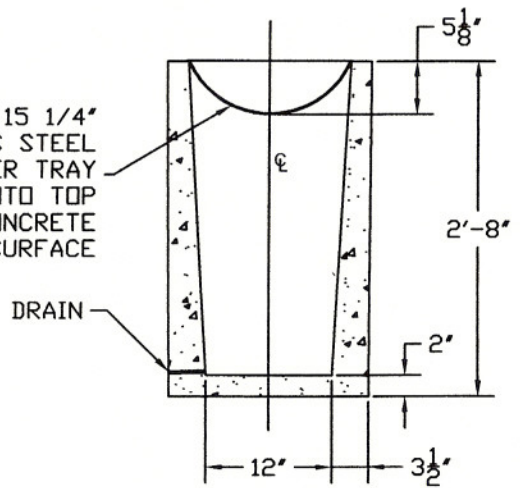
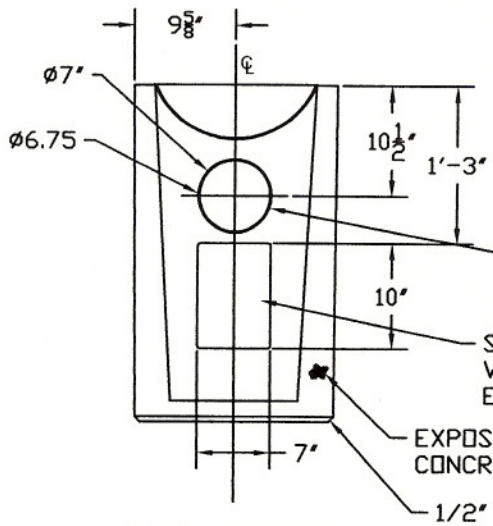


TOP VIEW

REMOVABLE 15 1/4\"/>



SECTION A-A



SIDE VIEW

OPENING FOR REFUSE DISPOSAL

SIGN WITH NO SMOKING SYMBOL AND WORDS "NO SMOKING IN BUILDING" EMBEDDED INTO CONCRETE SURFACE

EXPOSED AGGREGATE CONCRETE SURFACE

1/2\"/>



3584 Airline Road
Muskegon Michigan 49444
(231) 733-1904

320SXX Trash/ Snuffer

SIZE	DATE	DWG NO.	REV
A	6/5/04	003	
DRAWN BY: S. GARABEDIAN			SHEET 1 of 1