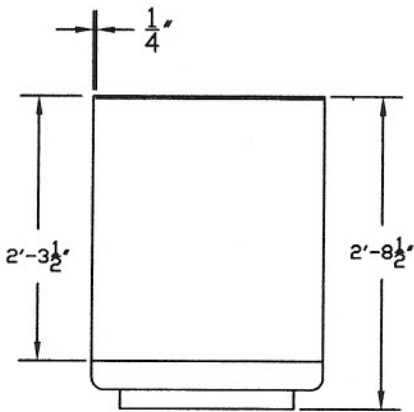
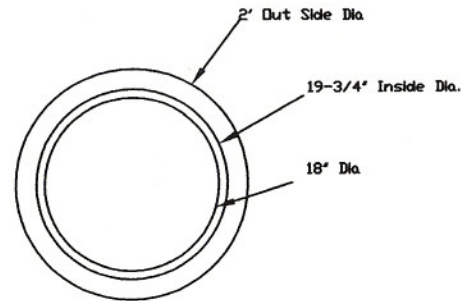


TOP VIEW



SECTION AA



3584 Airline Road
Muskegon Michigan 49444
(231) 733-1904

33RP Trash Receptacle

SIZE	DATE	DWG NO.	REV
A	12/30/05	010	
DRAWN BY: S. GARABEDIAN			SHEET 1 of 1