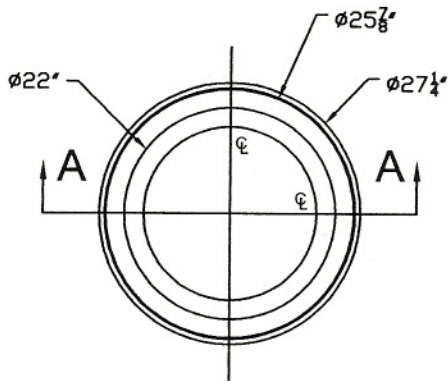
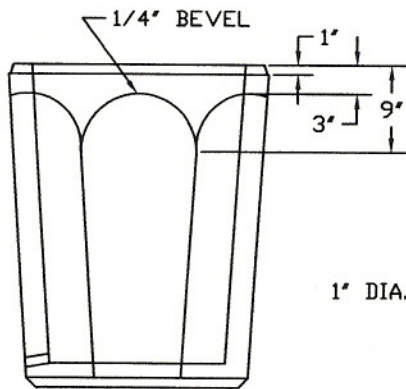
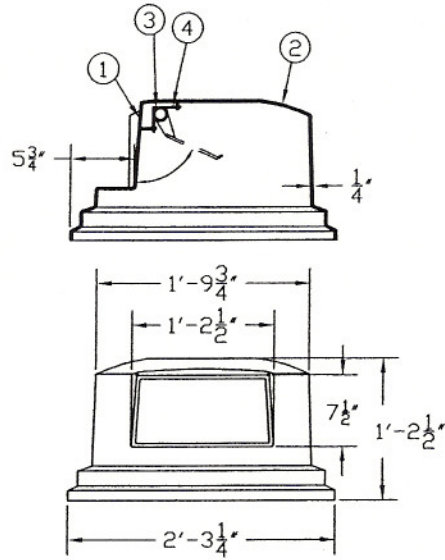


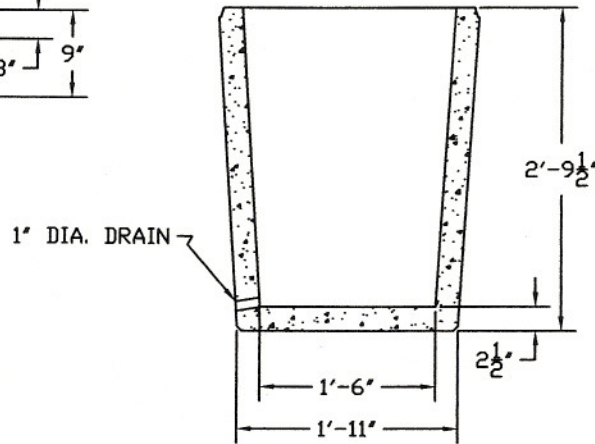
#	Description/ Materials
1	Door - Foamed PE
2	Housing - Foamed PE
3	Pivot - Foamed PE
4	Spring - STL



TOP VIEW



FRONT VIEW



SECTION A-A


Bush
CONCRETE PRODUCTS, INC.
 3584 Airline Road
 Muskegon Michigan 49444
 (231) 733-1904

34D Trash Receptacle

SIZE A	DATE 6/11/04	DWG NO. 009	REV
DRAWN BY: S. GARABEDIAN		SHEET 1 of 1	