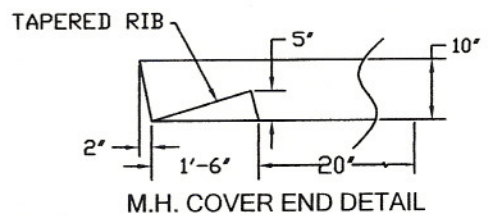
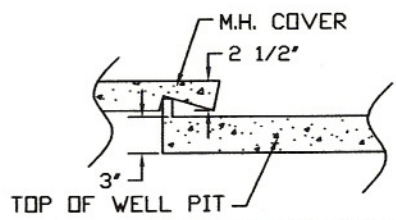


CAST IRON RING W/ 5 3/4" I.D. OPENING  
SET FLUSH W/ TOP OF UNIT. INCLUDE  
CAST IRON SELF LATCH COVER W/ GASKET

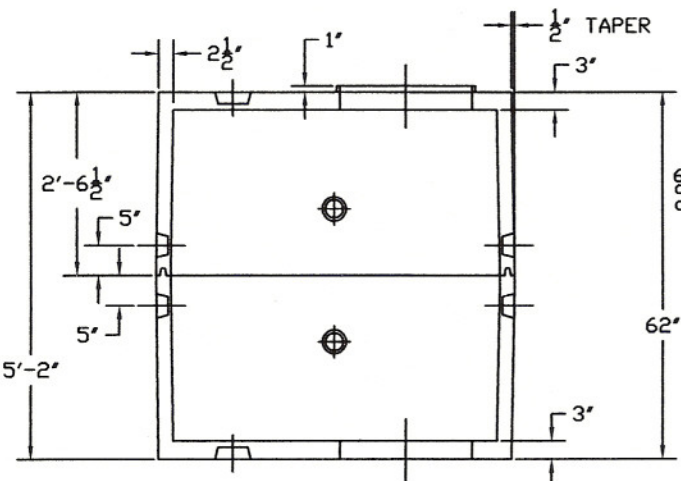
TOP VIEW



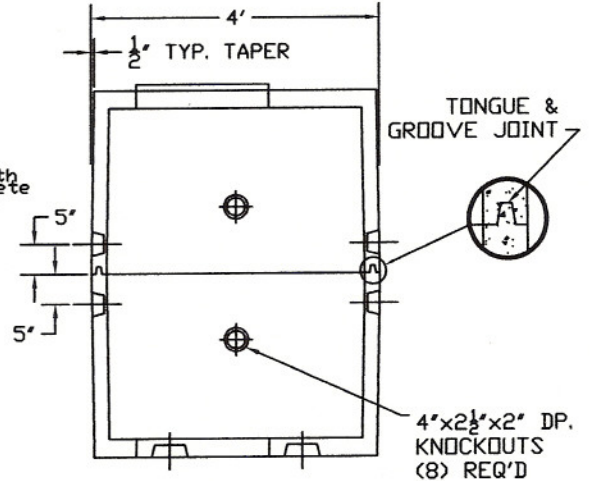
M.H. COVER END DETAIL



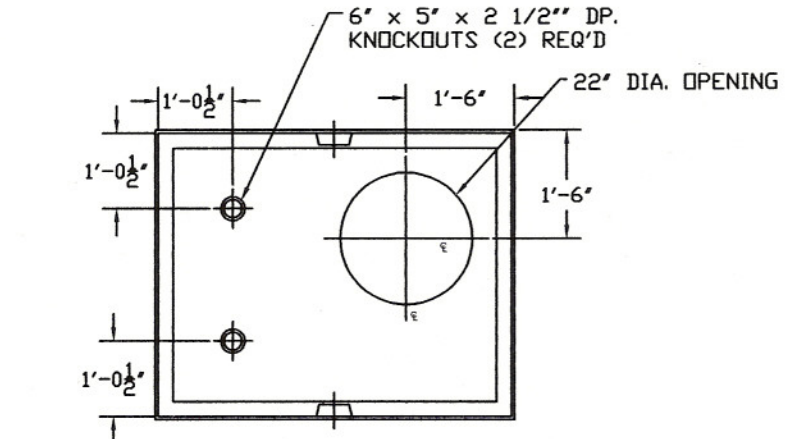
SECTION THRU MANHOLE  
SHOWING COVER IN PLACE



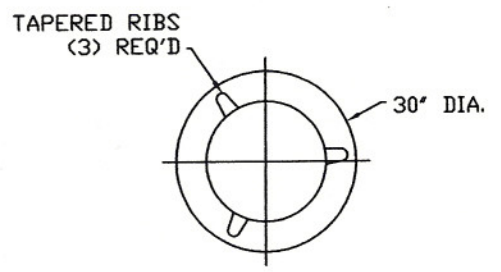
SIDE VIEW



END VIEW



BOTTOM VIEW



BOTTOM VIEW OF  
MANHOLE COVER

**Bush**  
**CONCRETE PRODUCTS, INC.**  
3584 Airline Road  
Muskegon Michigan 49444  
(231) 733-1904

Shallow Precast Well Pit

SIZE A	DATE 9/01/05	FIG. NO. 002	REV B
DRAWN BY: BRYON BUSH		SHEET 1 of 1	