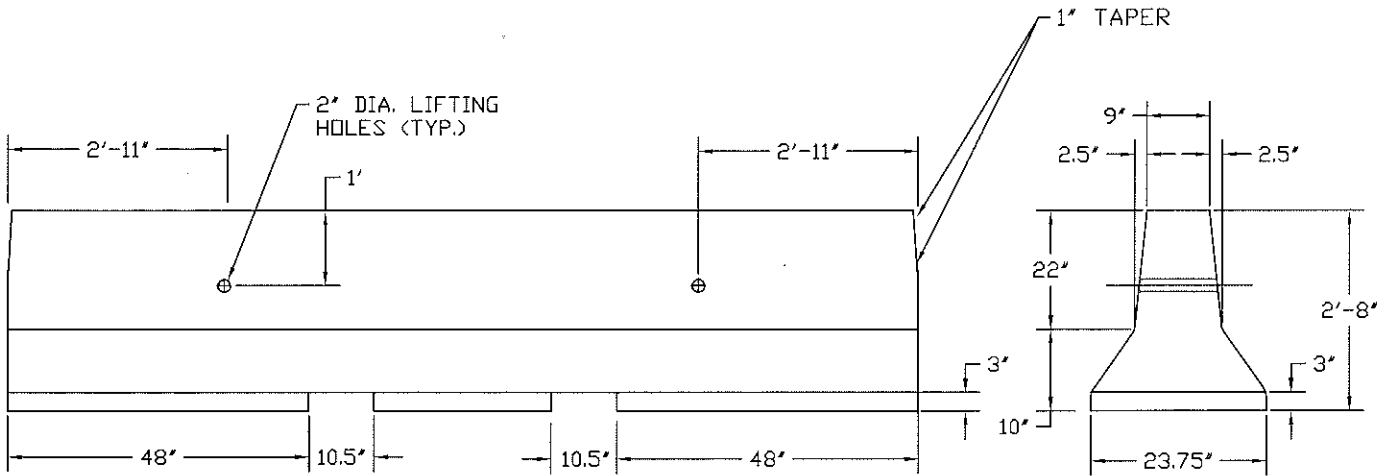


END EDGES HAVE  
1' CHAMFER.



WEIGHT 5400 LBS

NOTE:  
1. NOT FOR HIGHWAY USE.  
DOES NOT CONFORM TO  
M.D.O.T. HIGHWAY STANDARDS.

<p><b>Bush</b> CONCRETE PRODUCTS, INC.</p> <p>3584 Airline Road Muskegon, Michigan 49444 231-733-1904 1-800-TOO-BUSH WWW.BUSHCONCRETEPRODUCTS.COM</p>		<p>Concrete Barrier (12' Long)</p>	
<p>DRAWN BY: C. BUSH</p>		<p>SHEET 1 of 1</p>	