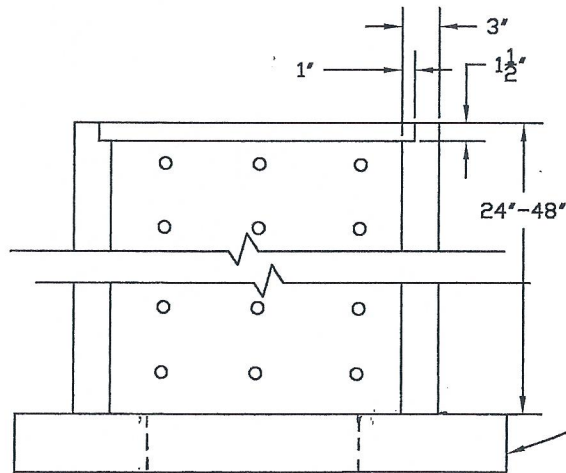


TOP VIEW



DETACHED 4" THICK BY 36" DIAMETER
BASE WITH 12" HOLE-CENTERED

SECTION A-A

NOTES: 1.) MATERIAL: PRECAST CONCRETE



3584 Airline Road
(231) 733-1904
Muskegon Michigan 49444

24" DIA. LEECH BASIN

SIZE	FSCM NO.	DWG NO.	000	REV
SCALE				SHEET