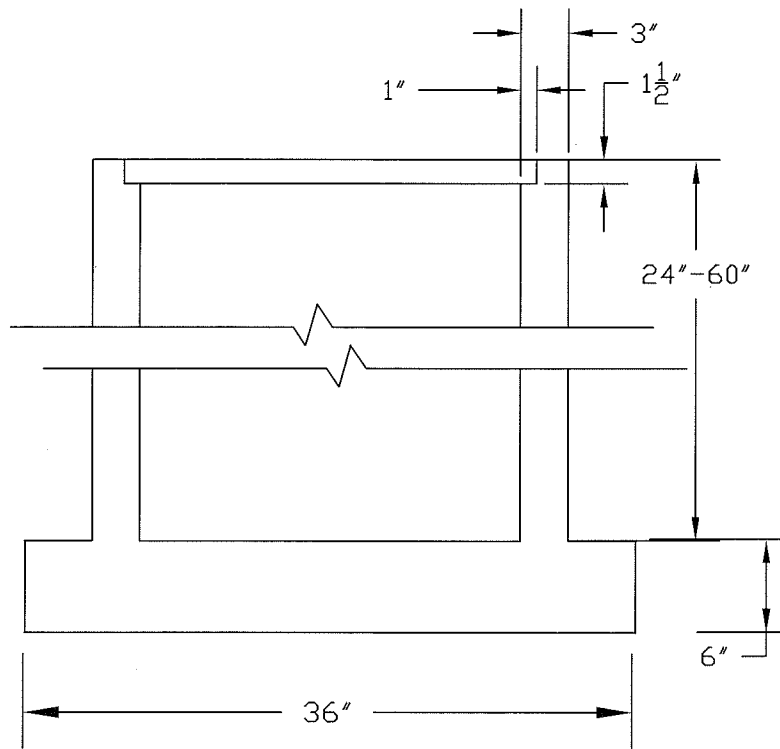


TOP VIEW



SECTION A-A

NOTES: CONFORMS TO ASTM C-478



CONCRETE PRODUCTS, INC.

3584 Airline Road Muskegon, Michigan 49444
 231-733-1904 1-800-TOO-BUSH
 WWW.BUSHCONCRETEPRODUCTS.COM

24in Catch Basin

SIZE	DATE	DWG NO.	REV
A	11/24/04	001	
DRAWN BY: S. GARABEDIAN			SHEET 1 of 1