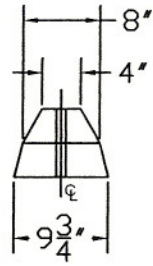
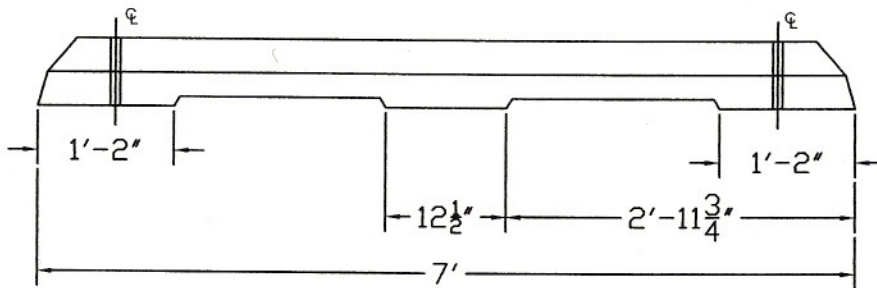


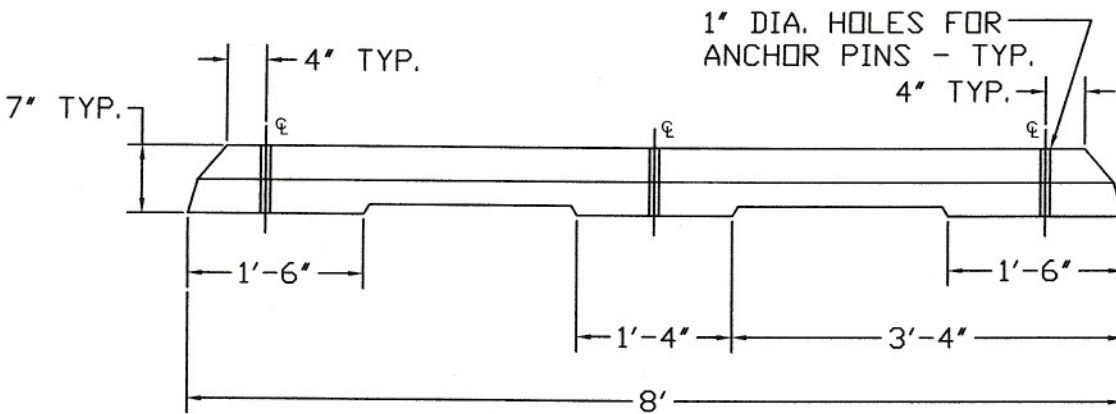
SIDE VIEW



TYP. END VIEW



SIDE VIEW



SIDE VIEW

NOTES:

- 1) MATERIAL: AIR ENTRAINED REINFORCED CONCRETE.



CONCRETE PRODUCTS, INC.

3584 Airline Rd * Muskegon, MI * (231) 733-1904

6', 7', 8' Bumper Blocks

SIZE A	DATE 12/27/03	DWG NO. 002	REV
------------------	-------------------------	-----------------------	-----

DRAWN BY: S. GARABEDIAN

SHEET 1 of 1