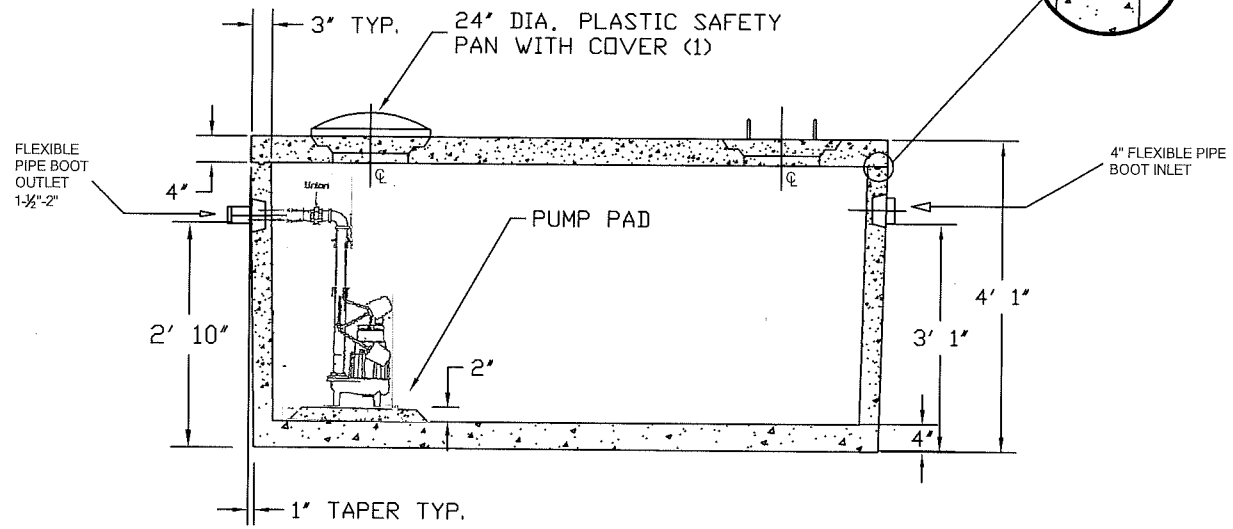
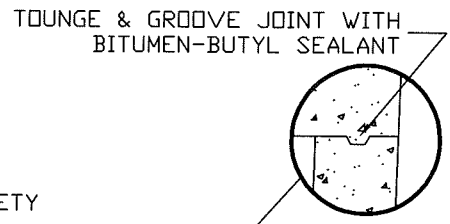


TOP VIEW



SECTION A-A

NOTES:

- 1. EXCAVATION MUST BE AT LEAST 12" WIDER & LONGER THAN TANK SIZE.

Bush
CONCRETE PRODUCTS, INC.
 3584 Airline Road Muskegon, Michigan 49444
 231-733-1904 1-800-TOO-BUSH
 WWW.BUSHCONCRETEPRODUCTS.COM

**675 Gal. Pump Chamber
 Pre-Plumbed**

SIZE DATE	A 2/16/2018	DWG NO.	002-1	REV
DRAWN BY: CB			SHEET 1 of 1	