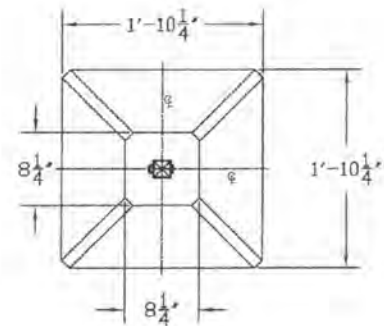


SIDE VIEW



TOP VIEW OF BASE

NOTES:

1. MAT'L: AIR ENTRAINED REINFORCED CONCRETE.



CONCRETE PRODUCTS, INC.

3584 Airline Road Muskegon, Michigan 49444
231-735-1904 1-800-TOD-BUSH
WWW.BUSHCONCRETEPRODUCTS.COM

**KROGER PLSWOK
SIGN BASE**

SIZE A	DATE	DWG. NO. 000	REV B
DRAWN BY: C BUSH		SHEET 1 OF 1	