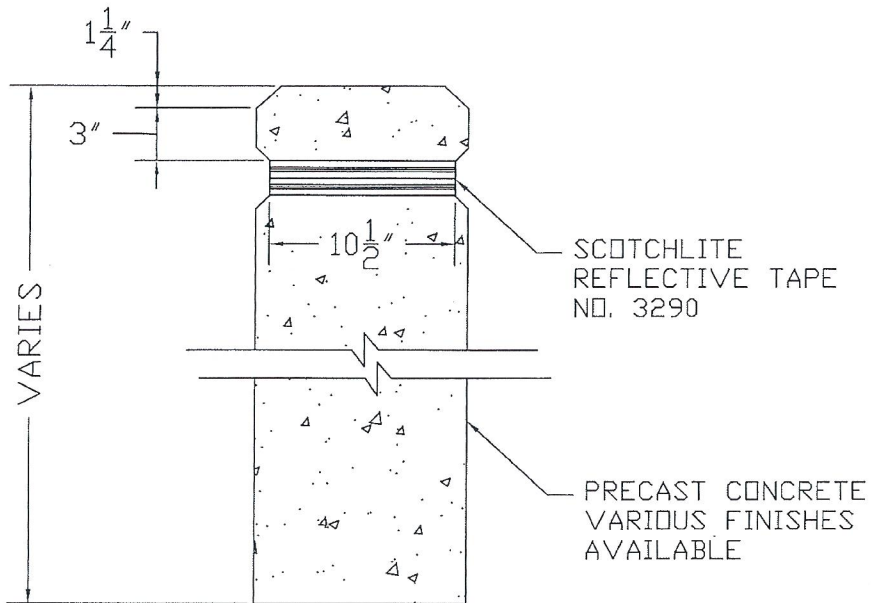


TOP VIEW



SECTION A-A



CONCRETE PRODUCTS, INC.

3584 Airline Road Muskegon, Michigan 49444
231-733-1904 1-800-TOO-BUSH
WWW.BUSHCONCRETEPRODUCTS.COM

12RSM Bollard

| SIZE | DATE | DWG. NO. | REV |
|-------------------------|----------|----------|--------------|
| A | 12/25/05 | 002 | |
| DRAWN BY: S. GARABEDIAN | | | SHEET 1 of 1 |