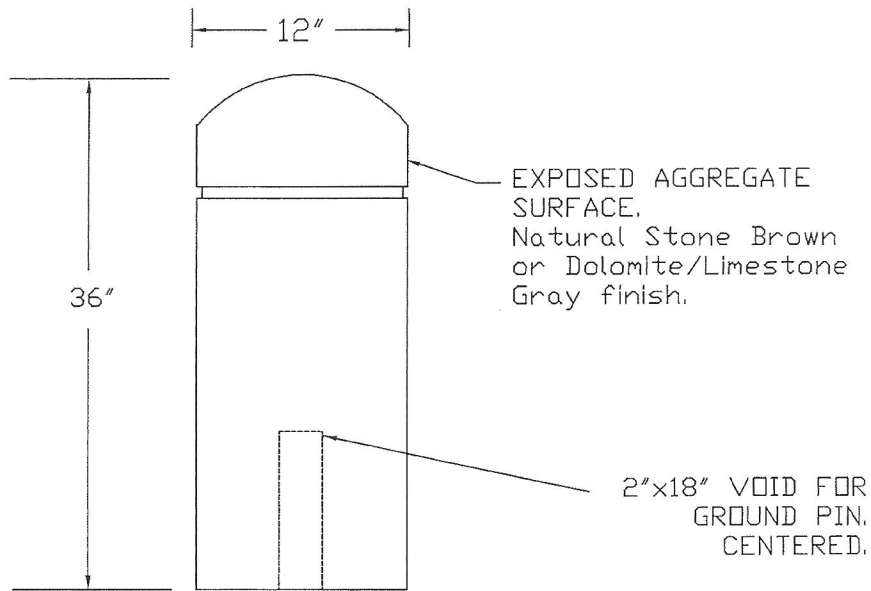


TOP VIEW



SECTION A-A



CONCRETE PRODUCTS, INC.

3584 Airlie Road Muskegon, Michigan 49444
 231-733-1904 1-800-TOO-BUSH
 WWW.BUSHCONCRETEPRODUCTS.COM

12RSM36 Bollard

SIZE	DATE	DWG NO.	REV
A	1/30/09	004	
DRAWN BY: BRYON BUSH			SHEET 1 of 1