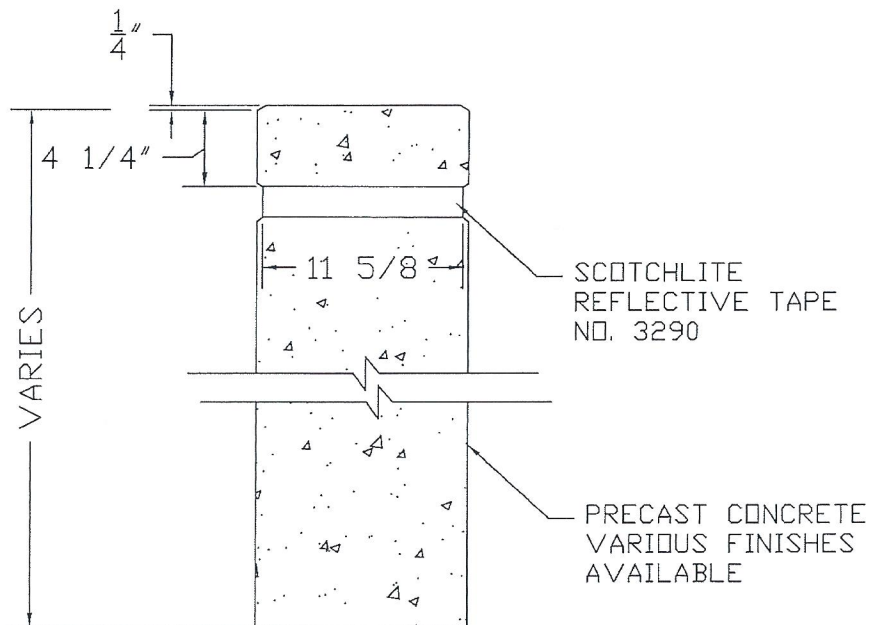


TOP VIEW



SECTION A-A



CONCRETE PRODUCTS, INC.

3584 Airline Road Muskegon, Michigan 49444
 231-733-1904 1-800-TOO-BUSH
 WWW.BUSHCONCRETEPRODUCTS.COM

12RSMN Bollard

SIZE	DATE	DWG NO.	REV
A	12/25/05	003	
DRAWN BY: S. GARABEDIAN		SHEET 1 of 1	