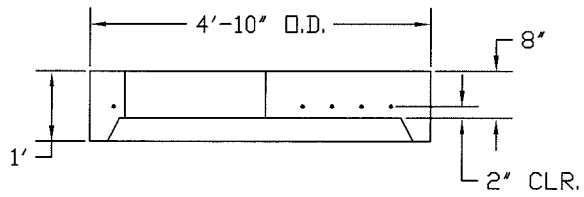
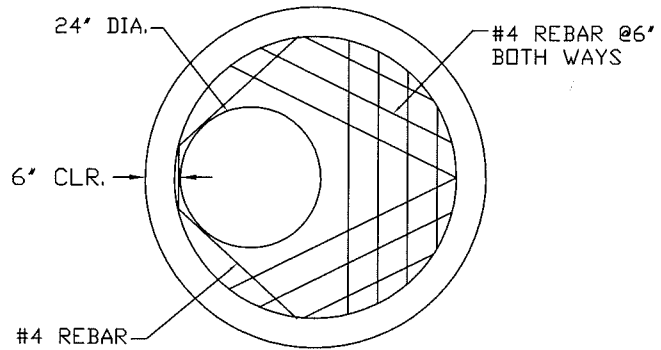
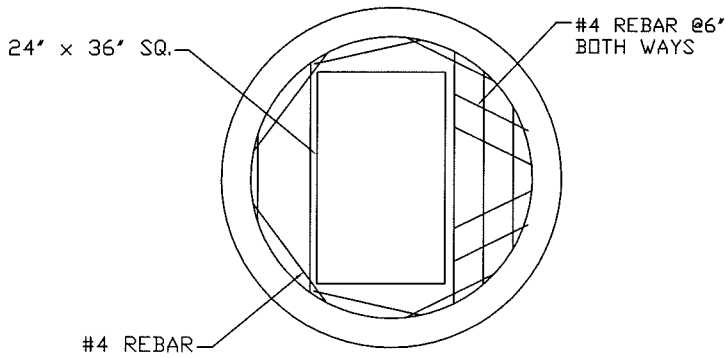


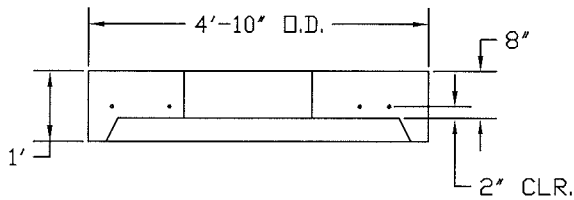
48" DIA. MANHOLE FLAT TOP



48" DIA. MANHOLE FLAT TOP WITH RECTANGLE OPENING



CONFORMS TO ASTM C-478



Bush
CONCRETE PRODUCTS, INC.
 3584 Airline Road Muskegon, Michigan 49444
 231-733-1904 1-800-TOO-BUSH
 WWW.BUSHCONCRETEPRODUCTS.COM

48" Manhole Flat Top

SIZE A	DATE 4/3/04	DWG NO. 002	REV
DRAWN BY: S. GARABEDIAN		SHEET	1 of 1