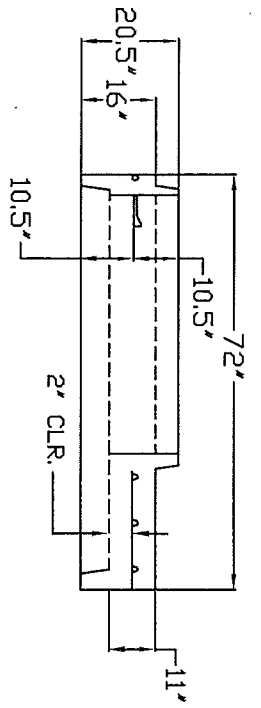
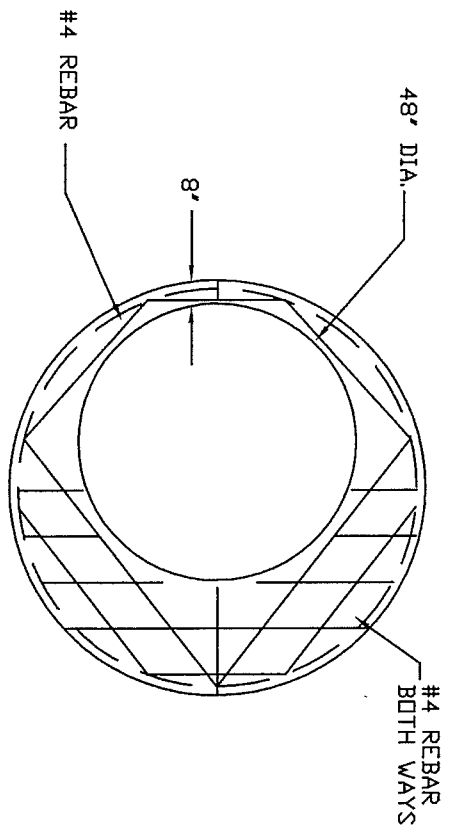
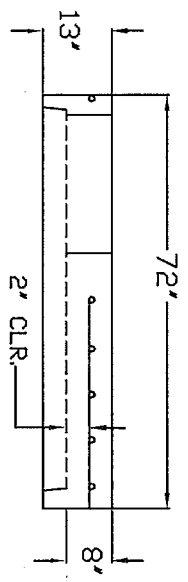
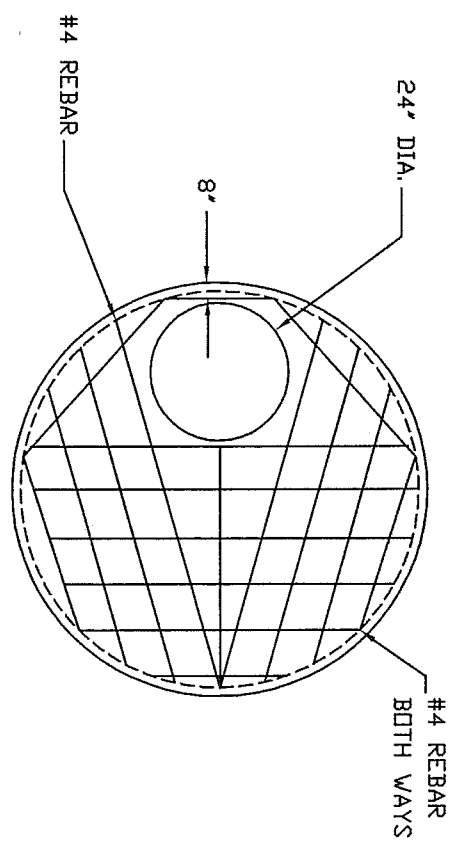


60" DIA. MANHOLE REDUCING COVER



CONFORMS TO ASTM C478

60" DIA. MANHOLE FLAT TOP



60" MANHOLE
FLAT TOP



CONCRETE PRODUCTS, INC.

3584 Airline Road Muskegon, Michigan 49444
231-733-1904 1-800-TOO-BUSH
WWW.BUSHCONCRETEPRODUCTS.COM

SIZE	FIG. NO.	DWG. NO.	REV.
A	01/22/07	016	A
SHEET			1 OF 1