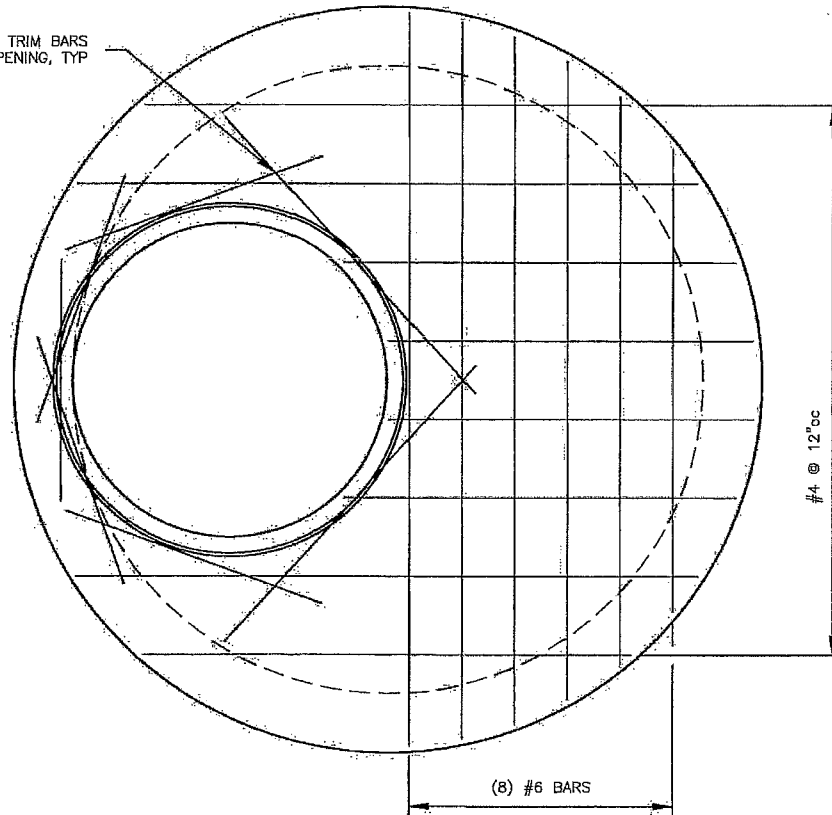
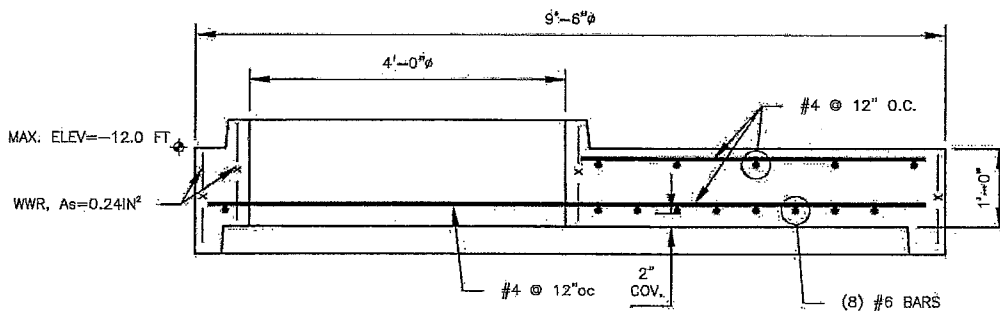


#4 DIAGONAL TRIM BARS
AROUND OPENING, TYP



PLAN VIEW



SECTION VIEW

DESIGN NOTES

- DESIGN IN ACCORDANCE WITH ASTM C478 FOR AASHTO 17TH ED. FOR HS-20 LOADING.

ASSUMPTIONS: (TO BE VERIFIED BY FOR)

- EARTH COVER = 12' MAX. OVER REDUCER SLAB
- UNIT WEIGHT OF SOIL = 120 PCF
- BAR COVER = 2" U.N.O.
- f'_c @ 28 DAYS = 4,000 PSI
- REINFORCEMENT BAR PER ASTM A615, GRADE 60; WWR PER ASTM A185, GRADE 65

GENERAL NOTES:

- SEE ADDITIONAL NOTES ON SHEET 2.

Bush
CONCRETE PRODUCTS, INC.
3584 Airline Road Muskegon, Michigan 49444
231-733-1904 1-800-TOO-BUSH
WWW.BUSHCONCRETEPRODUCTS.COM

**96" DIA. MANHOLE
REDUCING TOP**

SIZE	DATE	DWG NO.	REV
A	12/27/03	024	
DRAWN BY: S. GARABEDIAN			SHEET 1 of 1