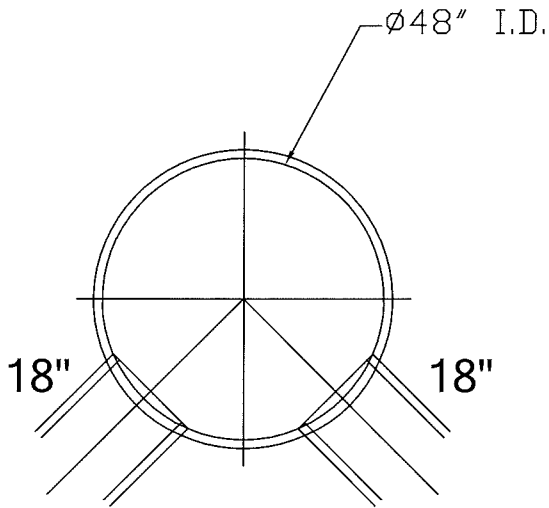


MAXIMUM PIPE
SIZE FOR STRAIGHT
THRU INSTALLATION



MAXIMUM PIPE
SIZE FOR RIGHT
ANGLE INSTALLATION

NOTES:

1. ALL DIMENSIONS ARE FOR CONCRETE PIPE.
2. ALL MANHOLES CONFORM TO ASTM C-478.
3. 6" MINIMUM SPACING BETWEEN OPENINGS.

Bush
CONCRETE PRODUCTS, INC.
3584 Airline Road Muskegon, Michigan 49444
231-733-1904 1-800-TOO-BUSH
WWW.BUSHCONCRETEPRODUCTS.COM

MAXIMUM PIPE SIZES
PER MANHOLE DIA.

SIZE	DATE	DWG NO.	REV
A	4/3/04	001	
DRAWN BY: S. GARABEDIAN			SHEET 1 of 1