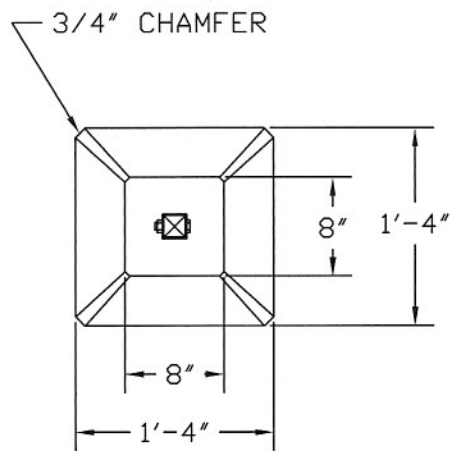


SIDE VIEW

POST PLUG FURNISHED AS STANDARD.
ALUMINUM CAP OPTIONAL.



TOP VIEW



3584 Airline Road
Muskegon Michigan 49444
(231) 733-1904

PLS18 Sign Base

SIZE	DATE	DWG NO.	REV
A	5/13/04	001	
DRAWN BY: S. GARABEDIAN			SHEET 1 of 1