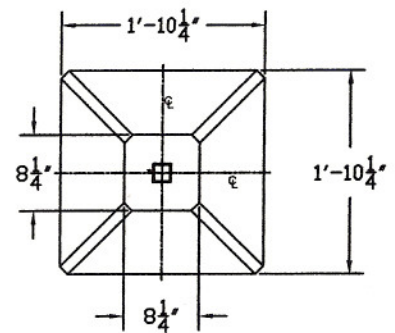


SIDE VIEW



TOP VIEW OF BASE

NOTES:

1. MAT'L: AIR ENTRAINED REINFORCED CONCRETE.



3584 Airline Road
Muskegon, Michigan 49444

PLSB Sign Base

SIZE A	DATE	DWG NO.	REV B
DRAWN BY: BRYON BUSH		SHEET 1 OF 1	