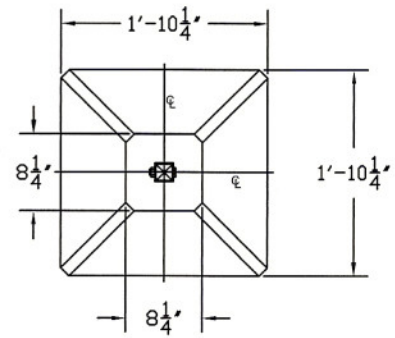


SIDE VIEW



TOP VIEW OF BASE

**NOTES:**

1. MAT'L: AIR ENTRAINED  
REINFORCED CONCRETE.



3584 Airline Road  
Muskegon Michigan 49444  
(231) 733-1904

**PLSC Sign Base**

|                      |      |                 |     |
|----------------------|------|-----------------|-----|
| SIZE<br>A            | DATE | DWG. NO.<br>002 | REV |
| DRAWN BY: BRYON BUSH |      | SHEET 1 OF 1    |     |