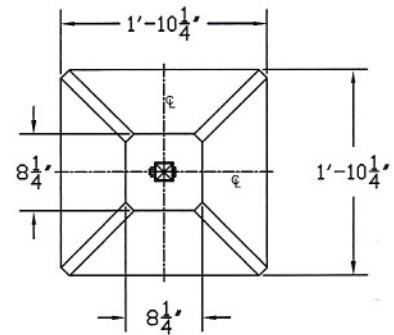


SIDE VIEW



TOP VIEW OF BASE

NOTES:

1. MAT'L: AIR ENTRAINED
REINFORCED CONCRETE.



3584 Airline Road
Muskegon, Michigan 49444

SIGN BASE PLSWO

SIZE	DATE	DWG. NO.	000	REV
A				B
DRAWN BY: BRYON BUSH			SHEET	1 OF 1