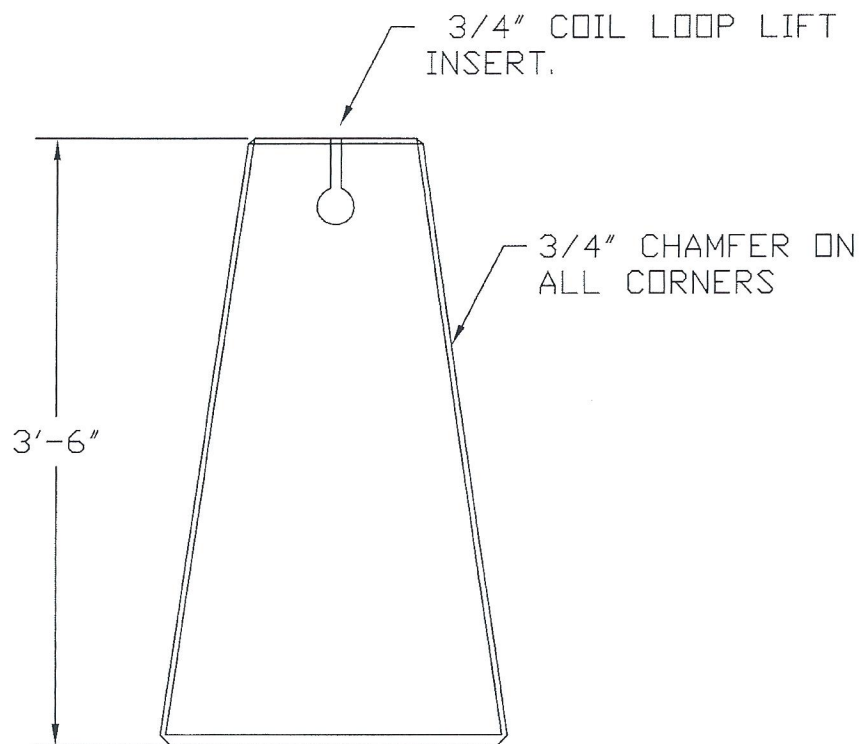


TOP VIEW



SIDE VIEW



3584 Airline Road Muskegon, Michigan 49444
231-733-1904 1-800-TOO-BUSH
WWW.BUSHCONCRETEPRODUCTS.COM

PLS42 Concrete Bollard

SIZE	DATE	DWG NO.	REV
A	5/19/04	007	
DRAWN BY: S. GARABEDIAN			SHEET 1 of 1